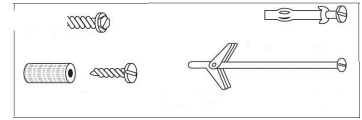


# Vertical Blind – Wand Control Installation Instructions

## Please follow these Installation Instructions

You will need a pencil, tape measure, drill, screwdriver, and appropriate fasteners.

### Step 1: Choose the Correct Fastener



Alternative fasteners should be used for aluminum or concrete installations (**Not Included with Blinds**)

### Step 2: Bracket Installation

(Before installing, review the chart to the right to confirm you have the correct correct number of brackets.

**For Inside Mount blinds with a valance Go to step 7**

Proper number of brackets is determined by blind width.					
Blind Width	Up to 45"	46" - 84"	85" - 120"	121" - 160"	Over 160"
# of Brackets	2	3	4	5	6

#### Outside Mount (Figure A)

Outside Mount Bracket



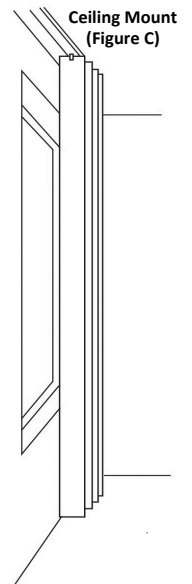
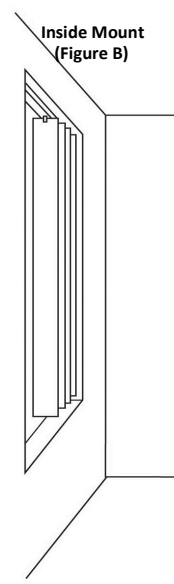
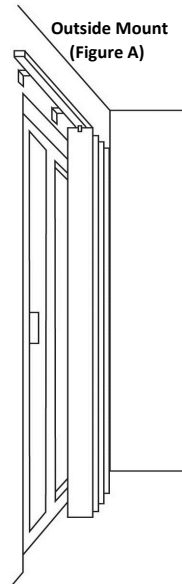
Standard outside mount aka wall mount- To determine the the height of the top of the bracket by adding 1/2" to the blind height (including headrail) When installed, louvers will clear the floor by 1/2". Place the first bracket directly over the corner of the window with a maximum space of 45" between brackets. Adjust the bracket so the louvers clear all obstructions.

Inside Mount Bracket/Clip



#### Inside Mount-No Valance (Figure B or C) Inside Mount-With a Valance see step 7

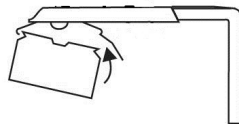
Use mounting clips to secure the headrail on the ceiling or inside mounts window frame. The center of the mounting clips align with the center of the louver carrier stem. Position the screws a minimum of 2 1/4" in front of the window glass or any other obstructions. Attached bracket 4" in from each side. Additional brackets should be spaced maximum of 45" between apart.



### Step 3: Headrail Installation

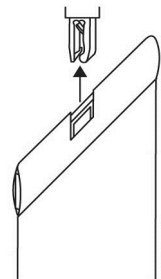
Attach the headrail to into the brackets by placing the front edge of the headrail under the lip at the front of the bracket. Then twist the back edge of the headrail into the bracket. Snapping it in place.

To remove headrail, simply push the back lip of the bracket up to release the headrail.

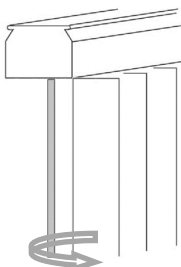


### Step 4: Louver Installation

Push the louver up into the carrier stem, then pull slightly straight down to lock in place. Make sure all the vanes are installed in the same the vanes are



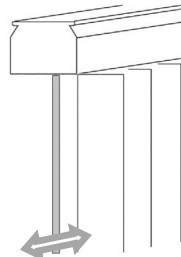
### Step 5: Test vane rotation



Twist the wand to rotate the vanes to desired position.

All of the vanes should be at the same degree of angle. If they are not at the same angle, see the trouble shooting section.

### Step 6: Test traversing/side to side movement of the vanes



To traverse the louvers, rotate the louvers to the open position then push or pull the wand to open (*stack louvers*) or close (*unstack louvers*) the blind.

**Caution: Do not traverse the blind with the louvers in the closed position.**

# Vertical Blind– Wand Control Installation Instructions

## Step 7: Valance Installation

For inside or ceiling mounts (figure A). Hold the valance in position, place the headrail bracket clip under the dustcover of the valance. Position the bracket so the screw is 1" from the back edge of the dustcover. Place a screw through the bracket and the dustcover of the valance as shown. Make sure louvers do not touch the valance.

For outside mounts (figure B), the dustcover of the valance slides under the protruding clip on the top of the mounting brackets.

Figure A Inside Mount

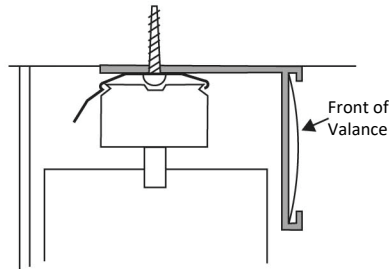
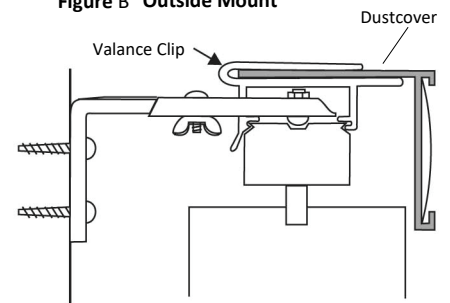


Figure B Outside Mount



## Valance Corners and Returns (figure C)

Outside mount valances are available with Square or Round Corner and returns.

For **square corner valances (figure D)**, the valance insert will arrive inserted into the front of the valance and in the returns. Simply slide the corners onto the ends of the valance. Then slide the returns into other end of the corner.

For **rounded corner valances (figure D)**, the valance insert is a continuous piece and will require assembly. Locate the valance insert, round corners and returns. Grasp the middle of the valance insert, squeezing slightly as you slide it under the top and bottom channel (Figure E) on the face of the valance. Continuous to slide the insert into the face of the valance. Then focusing on one end at a time, attach the corner and return. You may need to trim any excess valance material with heavy-duty scissors.

\*\*If you ordered PVC vanes, the valance insert will be shipped rolled up. If you ordered fabric verticals, the insert will be rolled up with the PVC vanes.

Figure C

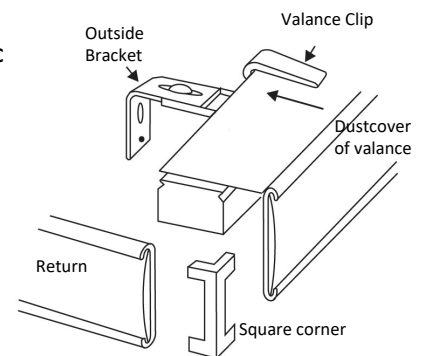


Figure D

## Round-Corner Valance with Dust Cover

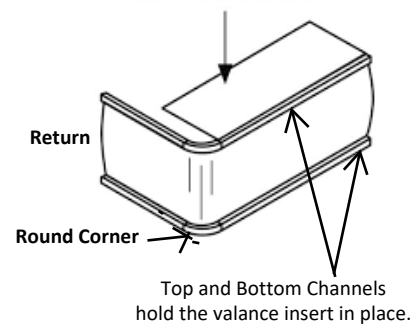


Figure E

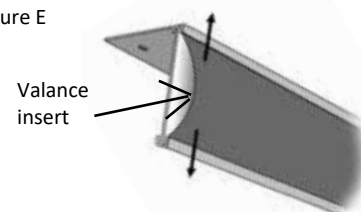
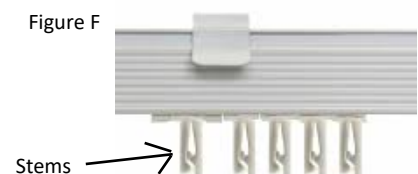


Figure F



## Operating Instructions

To rotate the louvers, rotate the wand in the direction you want the louvers rotated. To traverse the louvers, rotate the louvers to the open position. Then, push or pull the wand to open (*stack louvers*) or close (*unstack louvers*) the blind. If louvers are installed with the front of the louver facing the wand, the wand will be in front of the louvers when the blind is rotated closed. If the louvers are installed with the back of the louver facing the wand, the wand will be in back of the louvers when the blind is rotated closed.

### Trouble Shooting

If the vanes are out of alignment (not tilting open and shut at the same angle) the headrail needs ratcheted. This can happen if the vanes/louvers become tangled or have moved out of alignment with use. To ratchet the headrail start by opening the blind so all the vanes are in a stacked back position. Then rotate the wand in one direction, continue to rotate until you hear loud clicking or grinding sound. Give the wand a few additional gentle turns. This grinding noise the stems (figure F) that hold the vanes are re-aligning themselves. Next rotate the wand in the opposite direction several times. Continue to rotate it until you hear the loud clicking noise again. Continue rotating the wand two or three more times. The vanes should now be aligned.

If the vanes will not rotate, check the overlap. All vanes should be overlapping each other in the same direction.



To remove the vanes from the headrail, slide a credit card into the hooked side of the stem. Pulled credit card and vane out of the stem.